



s.190 with integrated vertical filter

1/2" - 2"
hot forged brass ball valve



This ball valve with built-in vertical filter allows a large flow rate with a low pressure drop and supports a maximum pressure of 30 bar (PN). This innovative product avoids the installation of two ball valves, before and after the filter. Quick and easy assembly, maintenance and cleaning.



Quality

- Substitutes 3 different components (2 ball valves and one filter)
- Reduces leakage risks due to lower sealing points
- Cost saving due to reduced number of components
- Time saving at installation and maintenance
- Built-in vertical filter with cartridge structure in AISI304 + Nylon (filtration degree: 500 microns / 35 mesh). Size 1/2" has a central rib to ease filter extraction.
- Final test conforming with UNI EN 12266-1 points A3 / A4 (for 1.1/2" and 2" sizes: acc. to directive 2014/68/UE)
- No metal-to-metal moving parts
- Handle clearly shows ball position
- Chrome plated brass ball for longer life
- Handle stop on body to avoid stress at stem

Body

- Hot forged sand blasted, external nickel plated brass body and cap sealed with Loctite® or equivalent thread sealant
- Finest brass according to EN 12165 and EN 12164 (formerly DIN 17660 and UNI 5705-65) specifications
- Bottom plug for an easy filter maintenance

Stem

- Blowout-proof unplated brass stem
- Two O-rings at the stem (FKM + NBR) for maximum safety

Sealing

- Pure PTFE seats

Threads

- ISO 228 parallel female by female threads



Flow

- Nominal port

Handle

- Zinc plated steel handle with plastic dip coating
- **WARNING:** do not exceed reasonable temperature and/or electrical load

Working pressure & temperature

- 30 Bar (450 PSI) non-shock cold working pressure for sizes 1/2" to 1", 20 Bar (290 PSI) for sizes 1.1/4" to 2"
- -20°C / +150°C (-4°F / +300°F)
- **WARNING:** freezing of the fluid in the installation may severely damage the valve

Options

- T-handle for 1/2" to 1" sizes.

PED directive

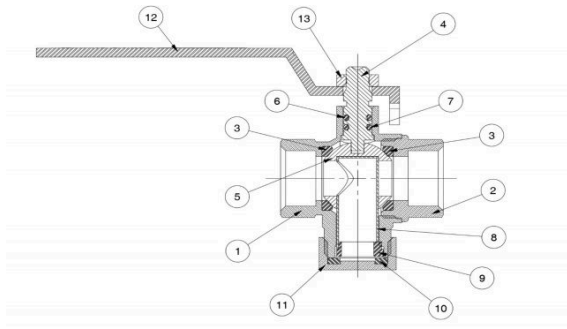
- According to 2014/68/UE, 1.1/4" and superior sizes cannot be used with dangerous fluids

Approved by or in compliance with

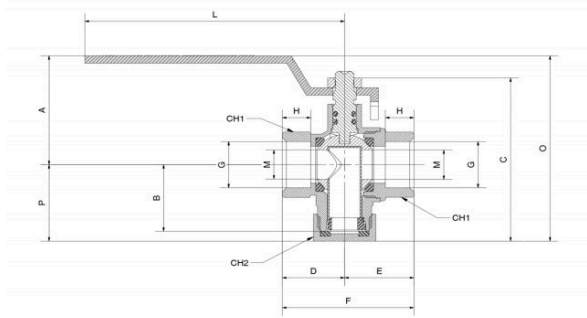
- Water Regulations Advisory Scheme (United Kingdom)

NOTE: approvals apply to specific configurations/sizes only.



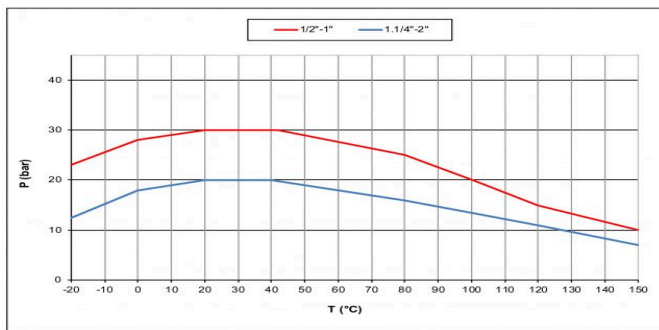


| | PART DESCRIPTION | Q.TY | MATERIAL |
|----|--|------|-----------------|
| 1 | Nickel plated body (external treatment) | 1 | CW617N |
| 2 | Nickel plated end-cap (external treatment) | 1 | CW617N |
| 3 | Seat | 1 | PTFE |
| 4 | Unplated stem O-ring design | 1 | CW614N |
| 5 | Chrome plated ball | 1 | CW617N |
| 6 | O-Ring | 1 | NBR |
| 7 | O-Ring | 1 | FKM |
| 8 | Filter | 1 | AISI304 + Nylon |
| 9 | Filter | 1 | AISI304 + Nylon |
| 10 | Flat seal | 1 | NBR |
| 11 | Plug | 1 | CW614N |
| 12 | Black plastic coated zinc plated handle | 1 | Steel |
| 13 | Zinc plated nut | 1 | Steel |

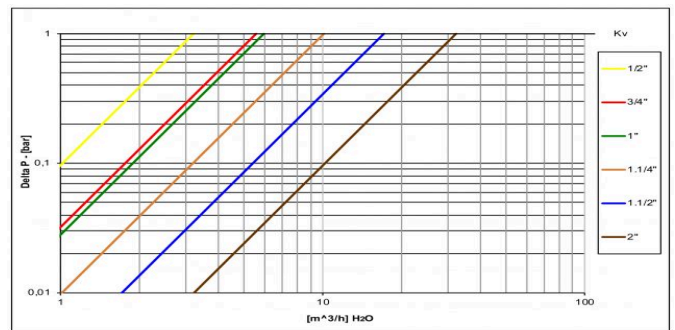


| Code | 190D00 | 190E00 | 190F00 | 190G00 | 190H00 | 190I00 |
|-----------|--------|--------|--------|--------|--------|--------|
| G (inch) | 1/2" | 3/4" | 1" | 1 1/4" | 1 1/2" | 2" |
| A (mm) | 44.2 | 47.4 | 50.8 | 74 | 80 | 88.5 |
| B (mm) | 27 | 30.9 | 34.5 | 46.5 | 52.5 | 63.5 |
| C (mm) | 66.2 | 73.5 | 80.5 | 106 | 118 | 143 |
| D (mm) | 24 | 29 | 34.5 | 40 | 45.5 | 54 |
| E (mm) | 26.7 | 32.3 | 35.6 | 45 | 52 | 63 |
| F (mm) | 50.7 | 61.3 | 70.1 | 85 | 97.5 | 117 |
| H (mm) | 11 | 13 | 15 | 17 | 17 | 20 |
| L (mm) | 100 | 100 | 100 | 158 | 158 | 158 |
| M (mm) | 12 | 16 | 20 | 28 | 36 | 46 |
| O (mm) | 75.2 | 82.5 | 89.5 | 125.5 | 137.5 | 167 |
| P (mm) | 31 | 35.1 | 38.7 | 51.5 | 57.5 | 68.5 |
| CH1 (mm) | 25 | 31 | 38 | 48 | 54 | 66 |
| CH2 (mm) | 24 | 30 | 38 | 46 | 55 | 65 |
| PN (bar) | 30 | 30 | 30 | 20 | 20 | 20 |
| Kv (m³/h) | 3.22 | 5.58 | 5.97 | 10.12 | 17.14 | 32.30 |

Pressure - temperature chart



Pressure drop chart



Ask for additional information on the whole range of **RUB** products and consult with your supplier for special applications.
For complete disclaimer: www.rubvalves.com/disclaimer